



<b>Project:</b> ADAPTOR	<b>Contract:</b> 1388-4
<b>Subject:</b> CONNECTION	<b>Sheet No.</b> 1
<b>Date:</b> 27/05/2020	<b>By:</b> TS

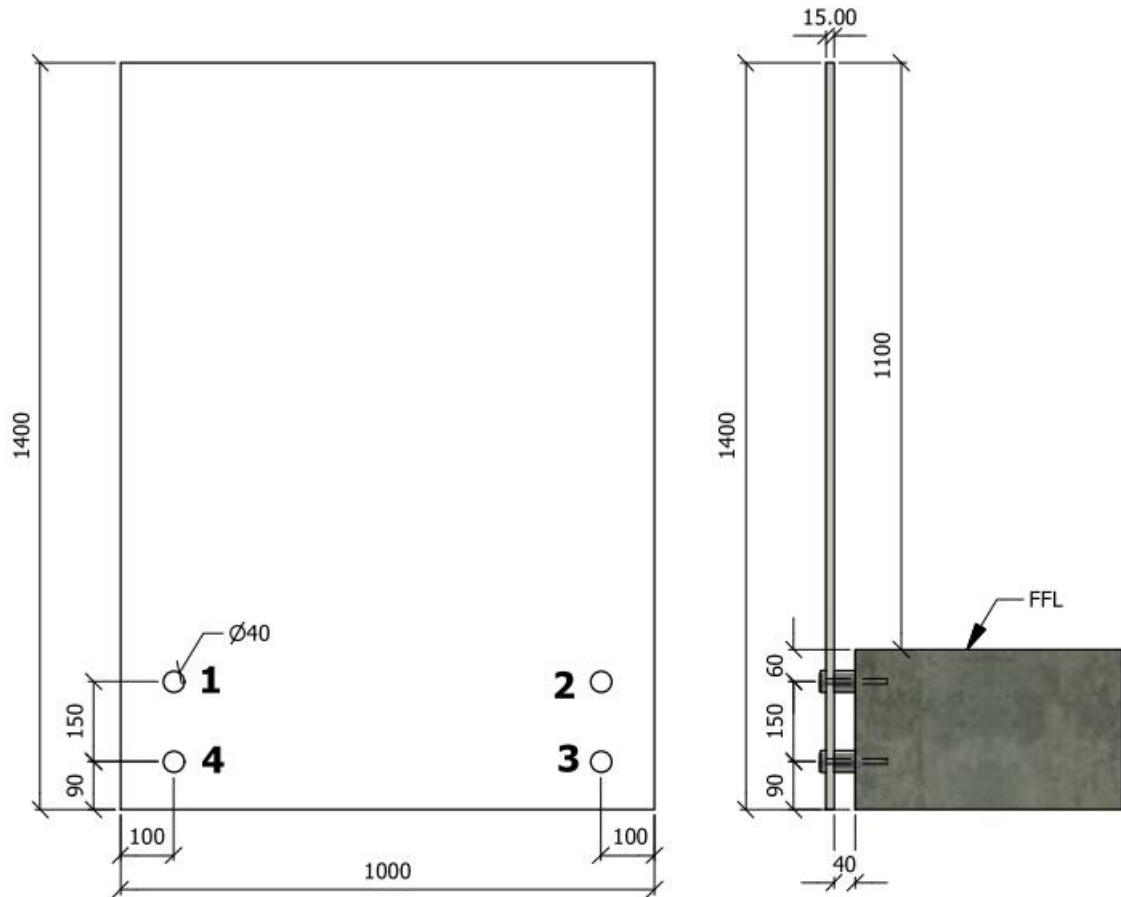
Concorde Glass Ltd.,  
Linx House,  
104 Waterloo Rd,  
Mablethorpe,  
LN12 1LE,  
UK.

**ADAPTOR CONNECTION**  
**CONCRETE**  
**STEEL**  
**WOOD**

0	27/05/2020	T.S.	Issued
<b>Revision</b>	<b>Date</b>	<b>Issued By</b>	<b>Comment</b>

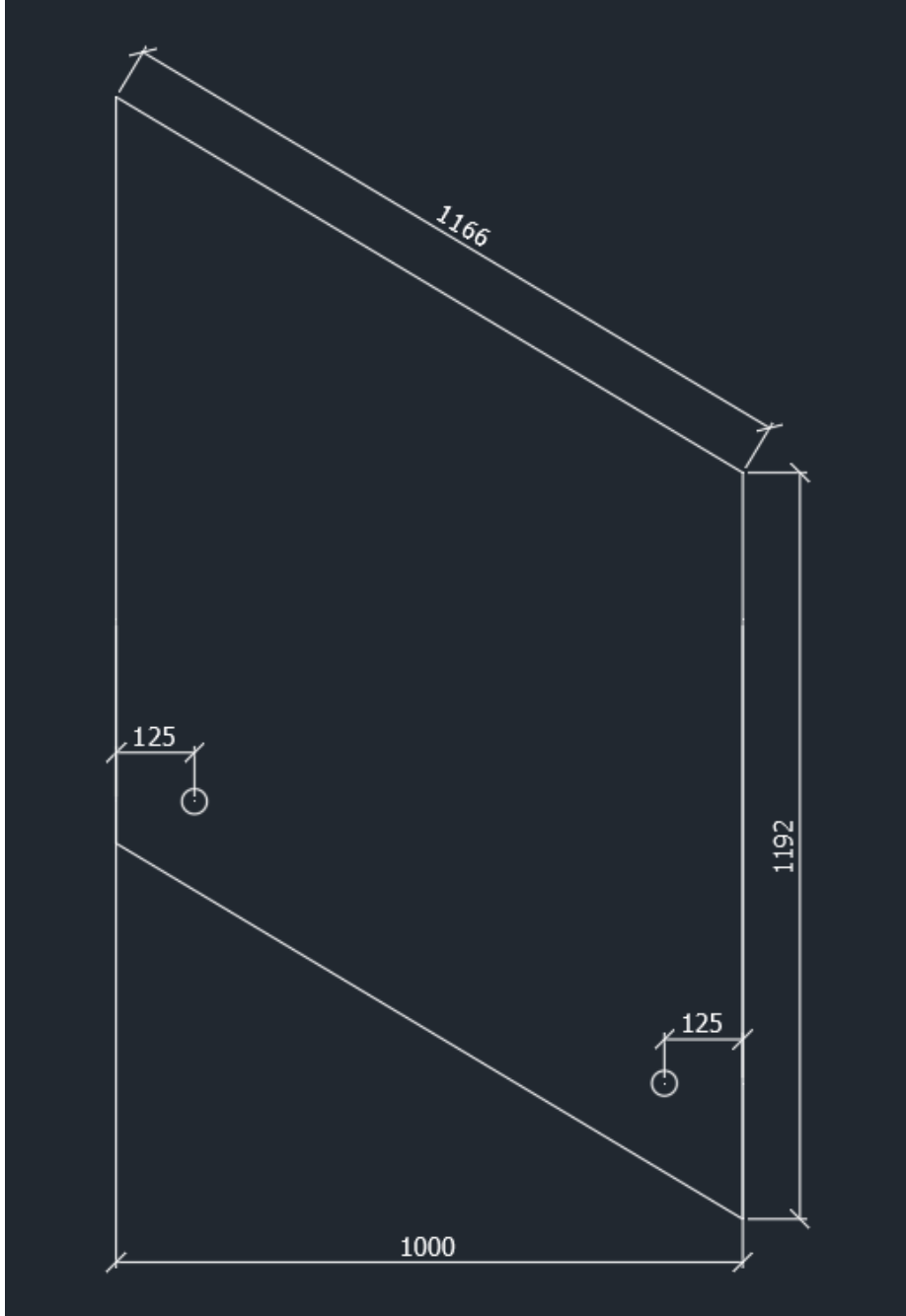
<b>Project:</b> ADAPTOR	<b>Contract:</b> 1388-4
<b>Subject:</b> CONNECTION	<b>Sheet No.</b> 2
<b>Date:</b> 27/05/2020	<b>By:</b> TS

System Sketch:



RECTANGULAR GLASS ADAPTOR CONNECTION

<b>Project:</b> ADAPTOR	<b>Contract:</b> 1388-4
<b>Subject:</b> CONNECTION	<b>Sheet No.</b> 3
<b>Date:</b> 27/05/2020	<b>By:</b> TS

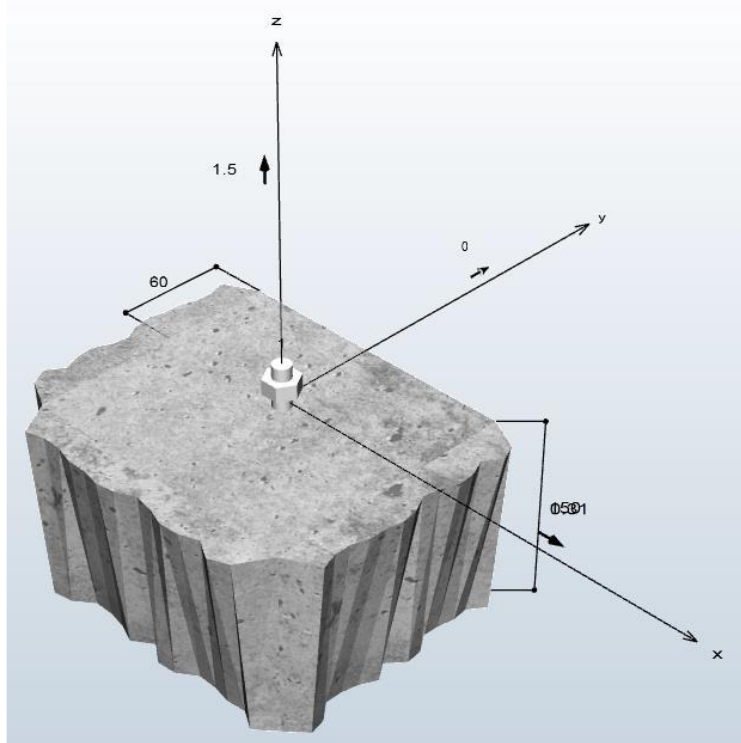


RAKING GLASS STAIRS 900mm HIGH ABOVE PITCH LINE

<b>Project:</b> ADAPTOR	<b>Contract:</b> 1388-4
<b>Subject:</b> CONNECTION	<b>Sheet No.</b> 4
<b>Date:</b> 27/05/2020	<b>By:</b> TS

### Connection to Concrete Rectangular Glass

System	Glass	kN/m	Suitable wind load	Fixing to Concrete	mm	mm
		kN Rating			Min Edge	Embedment
Adaptors x 4	12mm	0.36	N/A	FIS V 360 S M10x150 8.8.	60	60
Adaptors x 4	13.52mm	0.36	N/A	FIS V 360 S M10x150 8.8.	60	60
Adaptors x 4	15mm	0.74	Low	FIS V 360 S M10x150 8.8.	60	60
Adaptors x 4	15mm	0.74	Medium	FIS V 360 S M10x150 8.8.	60	60
Adaptors x 4	15mm	0.74	High	FIS V 360 S M10x150 8.8.	60	60
Adaptors x 4	17.52mm	0.74	Low	FIS V 360 S M10x150 8.8.	60	60
Adaptors x 4	17.52mm	0.74	Medium	FIS V 360 S M10x150 8.8.	60	60
Adaptors x 4	17.52mm	0.74	High	FIS V 360 S M10x150 8.8.	60	60

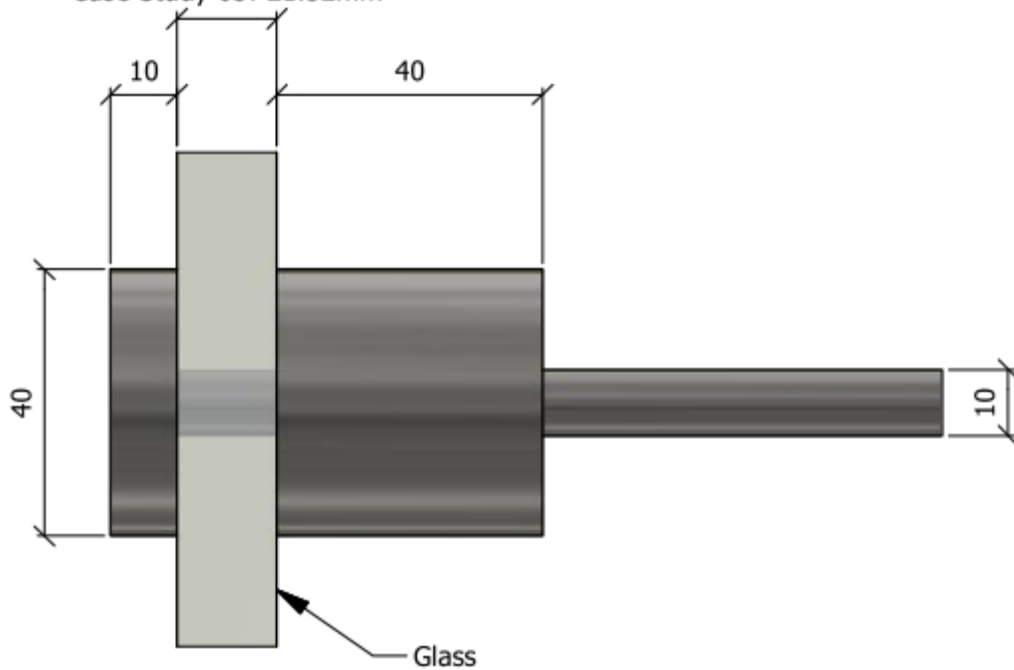


<b>Project:</b> ADAPTOR	<b>Contract:</b> 1388-4
<b>Subject:</b> CONNECTION	<b>Sheet No.</b> 5
<b>Date:</b> 27/05/2020	<b>By:</b> TS

### Connection to steel Rectangular Glass

System	Glass	kN/m	Suitable wind load	Fixing To Steel
Adaptors x 4	12mm	0.36	N/A	M10 Threaded Rod
Adaptors x 4	13.52mm	0.36	N/A	M10 Threaded Rod
Adaptors x 4	15mm	0.74	Low	M10 Threaded Rod
Adaptors x 4	15mm	0.74	Medium	M10 Threaded Rod
Adaptors x 4	15mm	0.74	High	M10 Threaded Rod
Adaptors x 4	17.52mm	0.74	Low	M10 Threaded Rod
Adaptors x 4	17.52mm	0.74 </td <td>Medium</td> <td>M10 Threaded Rod</td>	Medium	M10 Threaded Rod
Adaptors x 4	17.52mm	0.74	High	M10 Threaded Rod

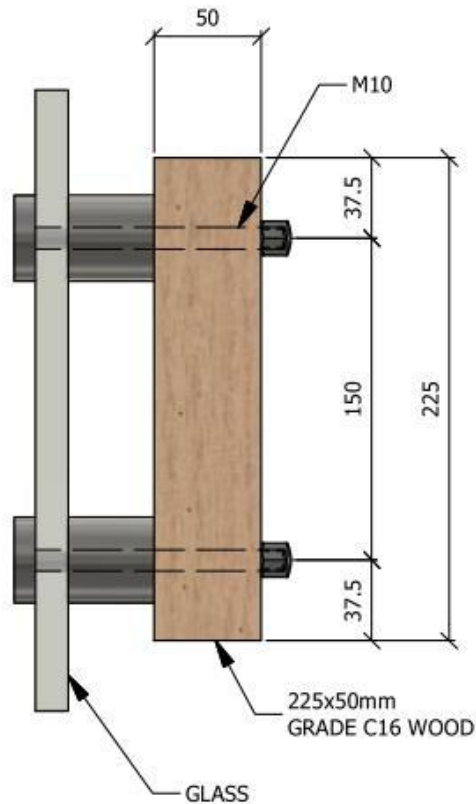
Case Study 01 04 and 05: 15mm  
Case Study 02: 17.52mm  
Case Study 03: 21.52mm



<b>Project:</b> ADAPTOR	<b>Contract:</b> 1388-4
<b>Subject:</b> CONNECTION	<b>Sheet No.</b> 6
<b>Date:</b> 27/05/2020	<b>By:</b> TS

### Connection to Wood Rectangular Glass

System	Glass	kN/m		Fixing To Wood
		kN Rating	Suitable wind load	
Adaptors x 4	12mm	0.36	N/A	M10 Threaded Rod
Adaptors x 4	13.52mm	0.36	N/A	M10 Threaded Rod
Adaptors x 4	15mm	0.74	Low	M10 Threaded Rod
Adaptors x 4	15mm	0.74	Medium	M10 Threaded Rod
Adaptors x 4	15mm	0.74	High	M10 Threaded Rod
Adaptors x 4	17.52mm	0.74	Low	M10 Threaded Rod
Adaptors x 4	17.52mm	0.74	Medium	M10 Threaded Rod
Adaptors x 4	17.52mm	0.74	High	M10 Threaded Rod



<b>Project:</b> ADAPTOR	<b>Contract:</b> 1388-4
<b>Subject:</b> CONNECTION	<b>Sheet No.</b> 7
<b>Date:</b> 27/05/2020	<b>By:</b> TS

### Connection to Concrete Raking Glass

		kN/m			mm	mm
System	Glass	kN Rating	Suitable wind load	Fixing to Concrete	Min Edge	Embedment
Adaptors x 2	12mm	0.36	N/A	FIS V 360 S M10x150 8.8.	60	60
Adaptors x 2	13.52mm	0.36	N/A	FIS V 360 S M10x150 8.8.	60	60

### Connection to Steel Raking Glass

		kN/m		
System	Glass	kN Rating	Suitable wind load	Fixing To Steel
Adaptors x 2	12mm	0.36	N/A	M10 Threaded Rod
Adaptors x 2	13.52mm	0.36	N/A	M10 Threaded Rod

### Connection to Wood Raking Glass

		kN/m		
System	Glass	kN Rating	Suitable wind load	Fixing To Wood
Adaptors x 2	12mm	0.36	N/A	M10 Threaded Rod
Adaptors x 2	13.52mm	0.36	N/A	M10 Threaded Rod