



Project: POST NO HANDRAIL	Contract: 1388-4
Subject: CONNECTION	Sheet No. 1
Date: 27/05/2020	By: TS

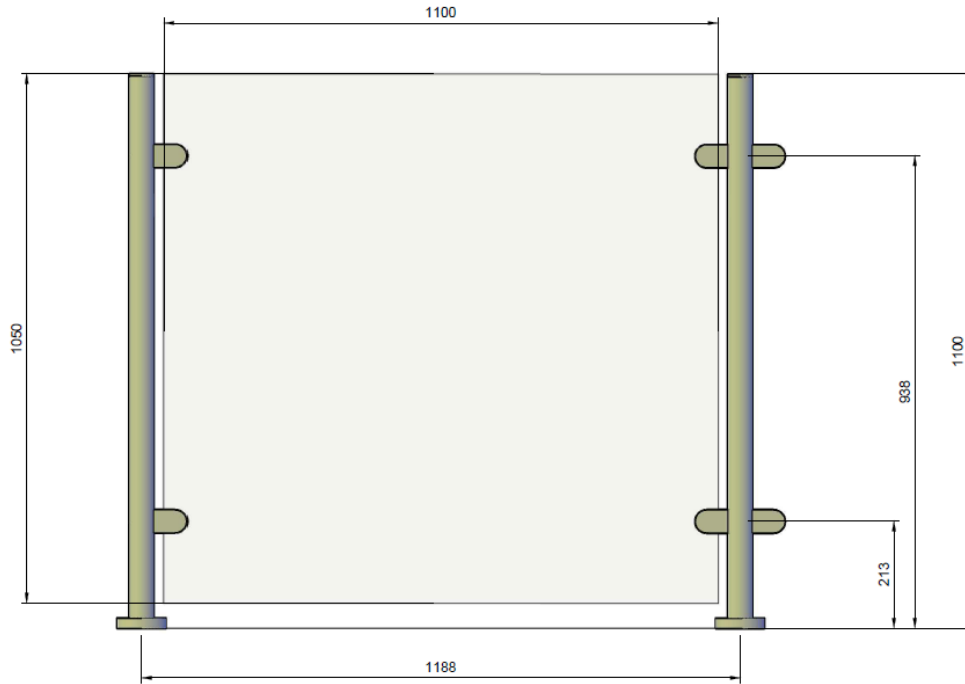
Concorde Glass Ltd.,
Linx House,
104 Waterloo Rd,
Mablethorpe,
LN12 1LE,
UK.

POST NO HANDRAIL CONNECTION
CONCRETE
STEEL
WOOD

0	27/05/2020	T.S.	Issued
Revision	Date	Issued By	Comment

Project: POST NO HANDRAIL	Contract: 1388-4
Subject: CONNECTION	Sheet No. 2
Date: 27/05/2020	By: TS

System Sketch:

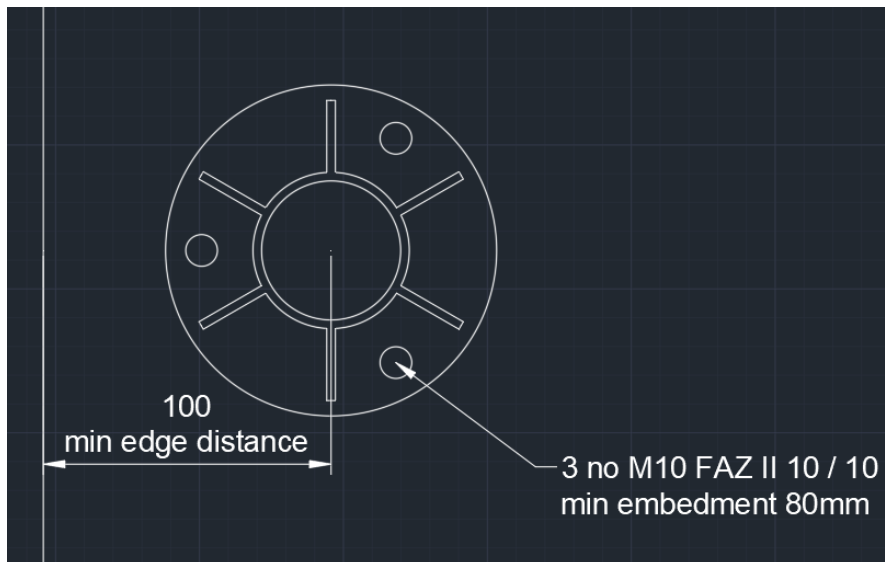


Top Fix Post, No Handrail System

Project: POST NO HANDRAIL	Contract: 1388-4
Subject: CONNECTION	Sheet No. 3
Date: 27/05/2020	By: TS

Connection to Concrete

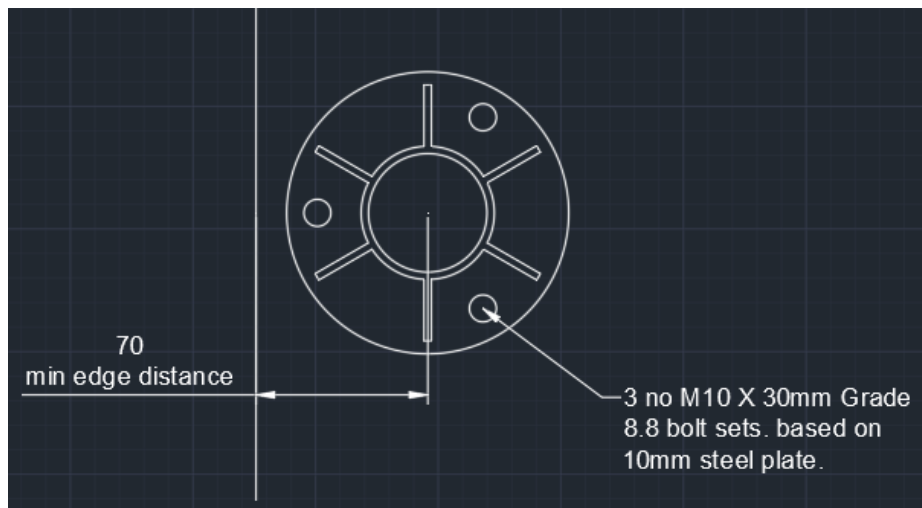
	kN/m			mm	mm
Glass	kN Rating	Suitable wind load	Fixing to Concrete	Min Edge	Embedment
10mm	0.36	N/A	M10 FAZ II 10/10	100	80
10mm	0.74	Low	M10 FAZ II 10/10	100	80
10mm	0.74	Medium	M10 FAZ II 10/10	100	80
10mm	0.74	High	M10 FAZ II 10/10	100	80
12mm	0.74	Low	M10 FAZ II 10/10	100	80
12mm	0.74	Medium	M10 FAZ II 10/10	100	80
12mm	0.74	High	M10 FAZ II 10/10	100	80



Project: POST NO HANDRAIL	Contract: 1388-4
Subject: CONNECTION	Sheet No. 4
Date: 27/05/2020	By: TS

Connection to steel

Glass	kN/m	Suitable wind load	Fixing To Steel
10mm	0.36	N/A	M10 X 30 Grade 8.8 hex head
10mm	0.74	Low	M10 X 30 Grade 8.8 hex head
10mm	0.74	Medium	M10 X 30 Grade 8.8 hex head
10mm	0.74	High	M10 X 30 Grade 8.8 hex head
12mm	0.74	Low	M10 X 30 Grade 8.8 hex head
12mm	0.74	Medium	M10 X 30 Grade 8.8 hex head
12mm	0.74	High	M10 X 30 Grade 8.8 hex head



Project: POST NO HANDRAIL	Contract: 1388-4
Subject: CONNECTION	Sheet No. 5
Date: 27/05/2020	By: TS

Connection to Wood

Glass	kN/m		
Glass	kN Rating	Suitable wind load	Fixing To Wood
10mm	0.36	N/A	RAMPA SKL M10 X 60
10mm	0.74	Low	RAMPA SKL M10 X 60
10mm	0.74	Medium	RAMPA SKL M10 X 60
10mm	0.74	High	RAMPA SKL M10 X 60
12mm	0.74	Low	RAMPA SKL M10 X 60
12mm	0.74	Medium	RAMPA SKL M10 X 60
12mm	0.74	High	RAMPA SKL M10 X 60

