

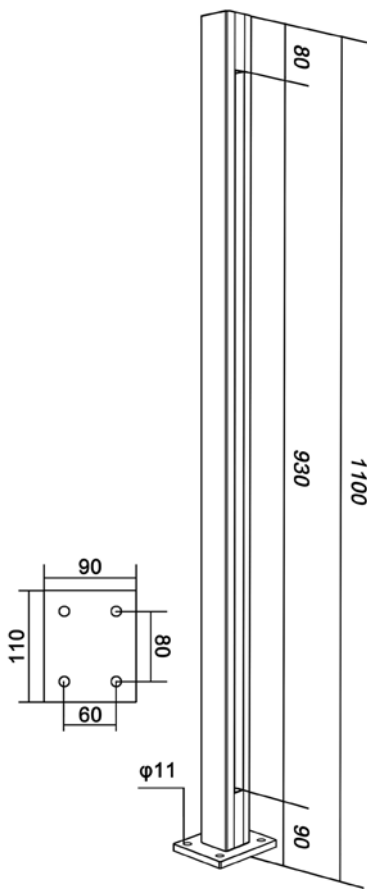


# Alulock Post details

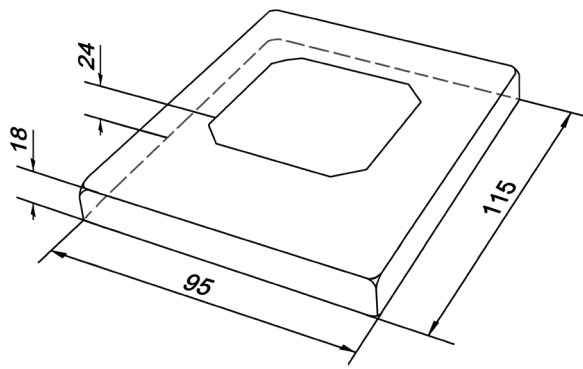
## Post Features

- Slimline, elegant design with low maintenance and BS6180:2011 compliant
- External grade 316 stainless steel brushed aluminum 320 grit finish
- All our 48.3mm diameter posts are supplied with fitted welded base plates, base covers and clamps
- Vertical and horizontal mounting solutions
- Available with or without handrail
- Simple and easy to install

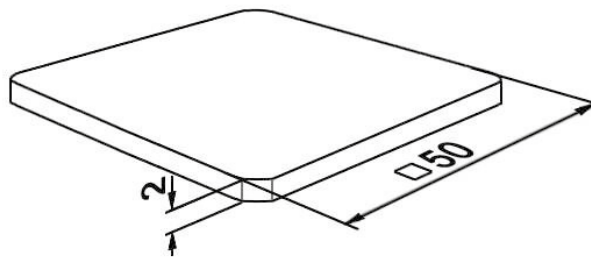
### Alulock post



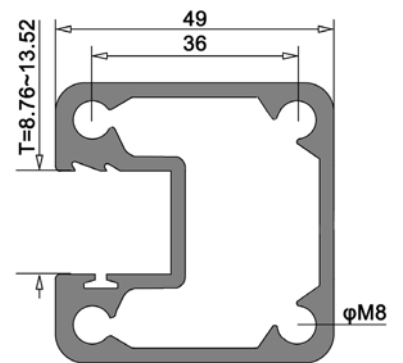
### Cover plate



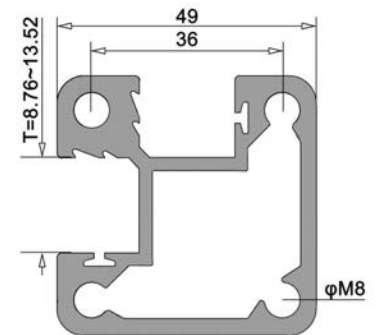
### Post Cap



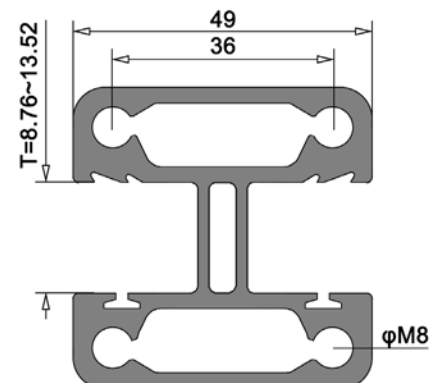
### End Post



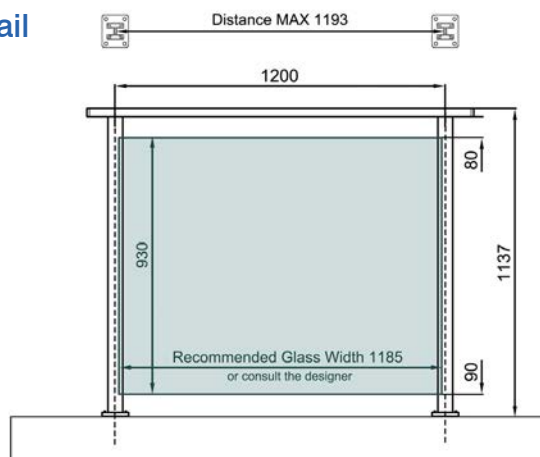
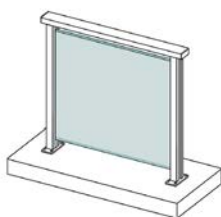
### Corner Post



### Middle Post



### Glass cutting handrail



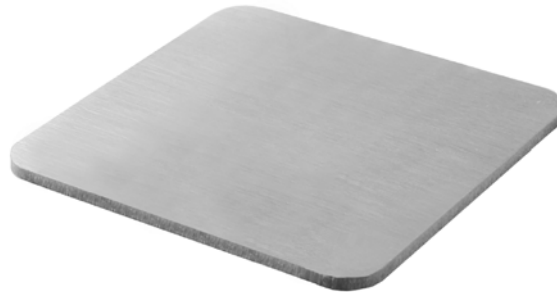


# Alulock Post parts included

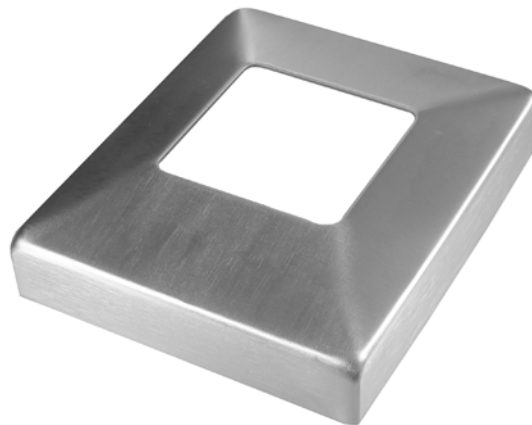
Post



Post cap



Cover Plate



Rubber



Tool



Handrail Connector



Handrail Connector



Handrail Connector





# Base plate installation



We always recommend you mark and layout your post system prior to starting your installation. Once you have checked your posts are all in the correct locations from the drawings provided you can start to drill your anchor points.

It is a good idea to start one end and work along each run to its completion. The ground

surface needs to be flat but metal shims can be used in the event there is some minor deviances. Once the posts are all in position you can then look to fit your handrail system followed by the glass into the clamps using your allen keys.



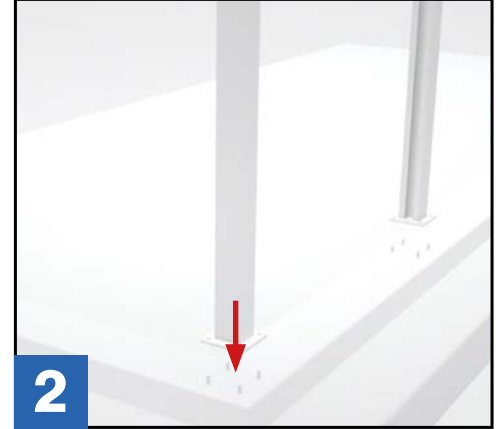
# Alulock Post System installation with handrail

## Items Required

- Permanent black marker pen
- 5mm thread tapping set
- 4.5mm stainless steel drill bit
- Allen key
- Hammer
- Chop saw with stainless steel cutting blade
- Grease
- Loctite 638 adhesive
- Hole punch
- Loctite SF 7649 activator
- Power drill
- Rounded metal file
- Screwdriver



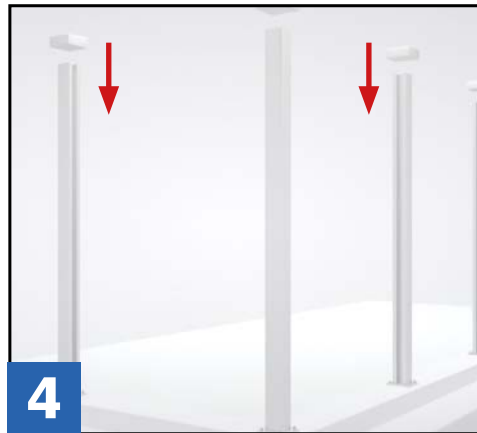
1 Lorem ipsum dolor sit amet, consectetur adipiscing elit.



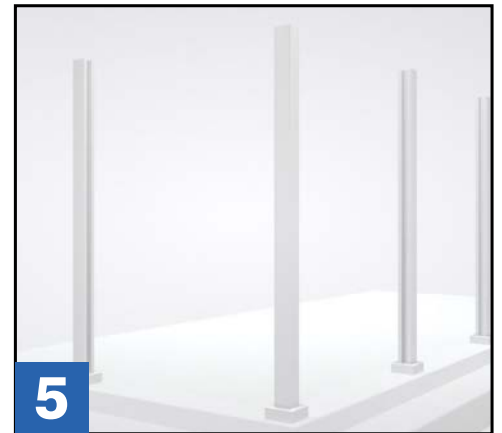
2 Lorem ipsum dolor sit amet, consectetur adipiscing elit.



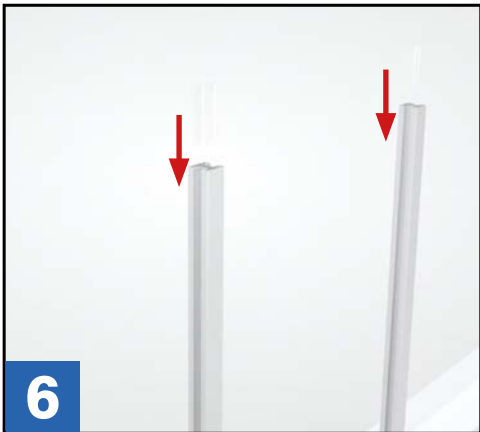
3 Lorem ipsum dolor sit amet, consectetur adipiscing elit.



4 Lorem ipsum dolor sit amet, consectetur adipiscing elit.



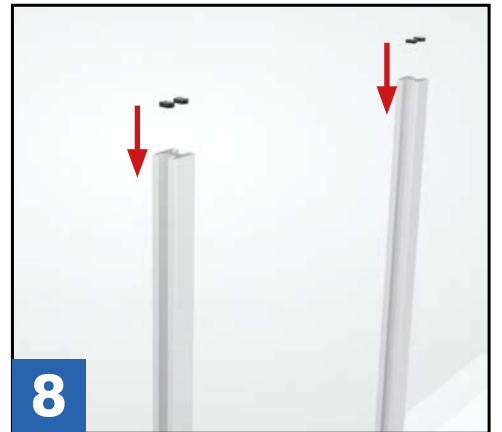
5 Lorem ipsum dolor sit amet, consectetur adipiscing elit.



6 Lorem ipsum dolor sit amet, consectetur adipiscing elit.



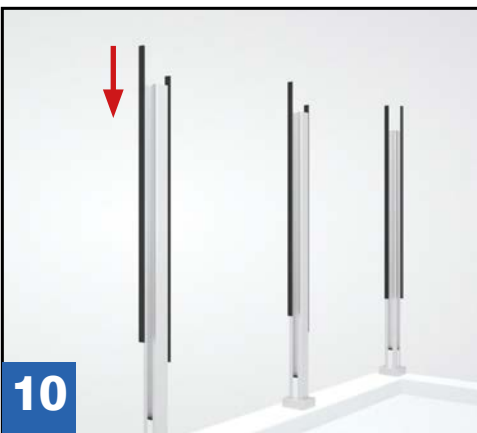
7 Lorem ipsum dolor sit amet, consectetur adipiscing elit.



8 Lorem ipsum dolor sit amet, consectetur adipiscing elit.



9 Lorem ipsum dolor sit amet, consectetur adipiscing elit.



10 Lorem ipsum dolor sit amet, consectetur adipiscing elit.



11 Lorem ipsum dolor sit amet, consectetur adipiscing elit.

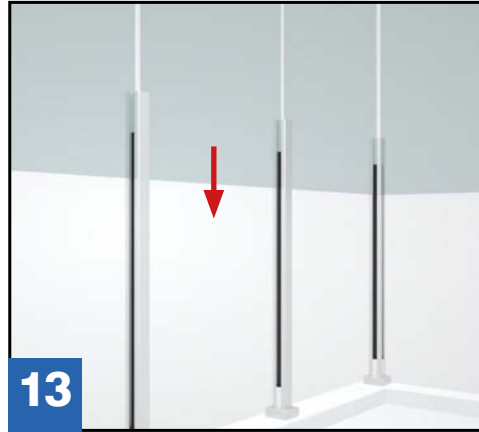


# Alulock Post System installation with handrail



12

Lorem ipsum dolor sit amet, consectetur adipiscing elit.



13

Lorem ipsum dolor sit amet, consectetur adipiscing elit.



14

Lorem ipsum dolor sit amet, consectetur adipiscing elit.



15

Lorem ipsum dolor sit amet, consectetur adipiscing elit.



16

Lorem ipsum dolor sit amet, consectetur adipiscing elit.



17

Lorem ipsum dolor sit amet, consectetur adipiscing elit.



18

Lorem ipsum dolor sit amet, consectetur adipiscing elit.



19

Lorem ipsum dolor sit amet, consectetur adipiscing elit.



20

Lorem ipsum dolor sit amet, consectetur adipiscing elit.



21

Lorem ipsum dolor sit amet, consectetur adipiscing elit.



22

Lorem ipsum dolor sit amet, consectetur adipiscing elit.



23

Lorem ipsum dolor sit amet, consectetur adipiscing elit.



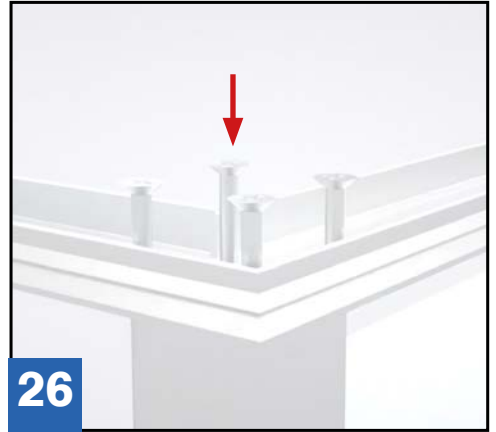
# Alulock Post System installation with handrail



Lorem ipsum dolor sit amet, consectetur adipiscing elit.



Lorem ipsum dolor sit amet, consectetur adipiscing elit.



Lorem ipsum dolor sit amet, consectetur adipiscing elit.



Lorem ipsum dolor sit amet, consectetur adipiscing elit.



Lorem ipsum dolor sit amet, consectetur adipiscing elit.



Lorem ipsum dolor sit amet, consectetur adipiscing elit.



Lorem ipsum dolor sit amet, consectetur adipiscing elit.



Lorem ipsum dolor sit amet, consectetur adipiscing elit.



# Handrail processing



Example of a join in the handrail



**VERY IMPORTANT  
PLEASE READ**

**AS STANDARD, HANDRAIL IS ROUNDED UP AND QUOTED AND CUT TO THE NEAREST 2.5M**

Handrail rounded up and quoted and cut to the nearest 2.5m.

On all quotes we have rounded up and quoted handrail cut to the nearest 2.5m. This gives you added flexibility to cut the handrail to exact length on site. Trade customers will also be able to keep the offcuts for use on future projects if required.

For example, on a U run 3m x 4m x 3m you require a total of 11 metres - the handrail is charged and supplied as 5 x 2.5m lengths

